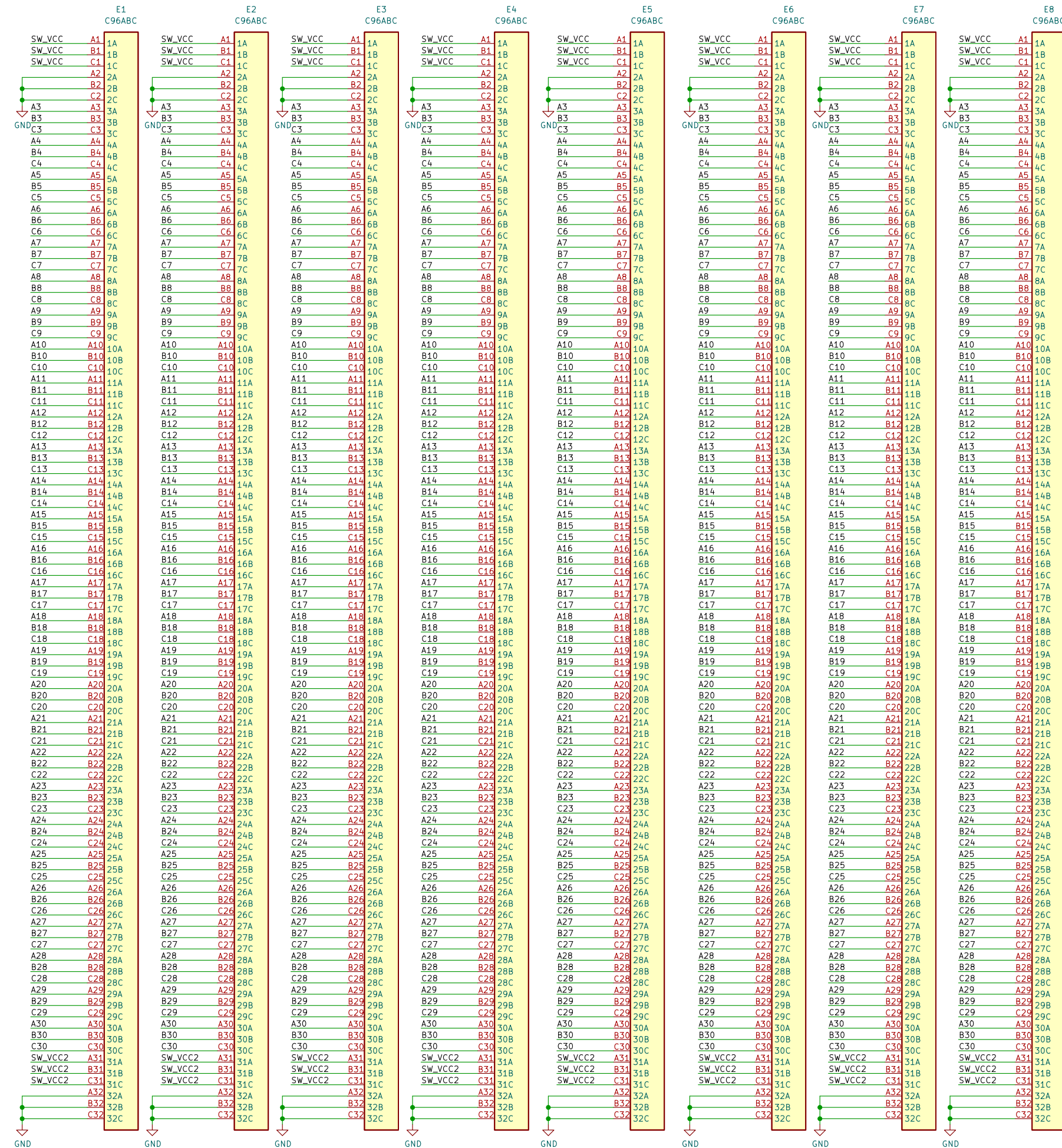
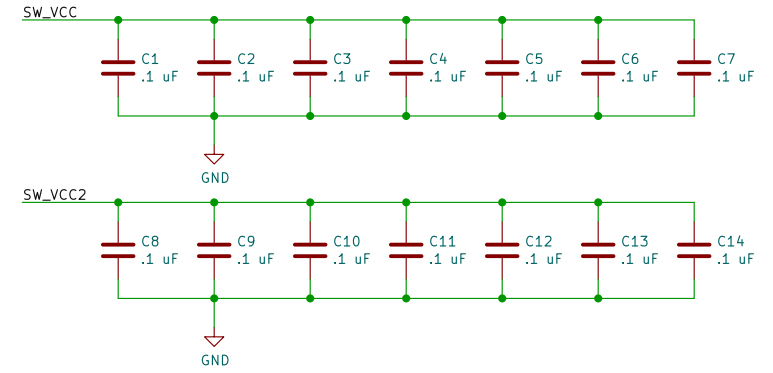


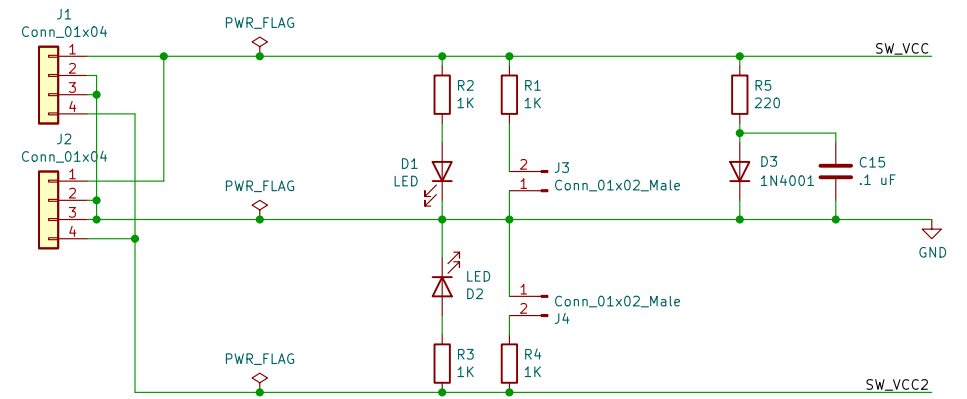
DIN41612 CONNECTORS



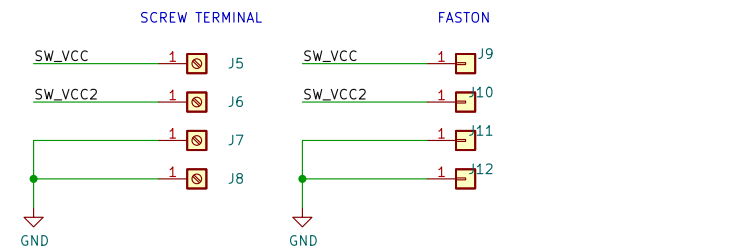
BYPASS CAPACITORS



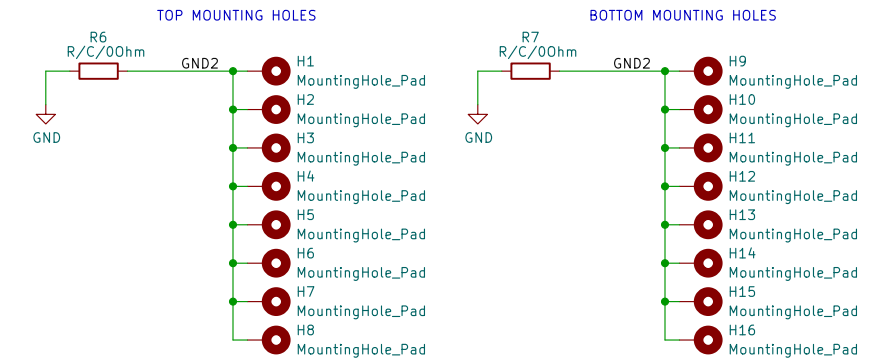
MOLEX POWER CONNECTORS, LED INDICATORS, POWER LOAD R



SCREW, FASTON TERMINALS



MOUNTING HOLES



Creative Commons Attribution 4.0 International license. CC-BY-4.0
 Marten Electric by Martin Niec; www.martenelectric.cz; martenelectric@gmail.com
 Sheet: /
 File: schematic_backplane_8-10-12_v14.kicad_sch
Title: DIN41612 passive backplane 3U 8,10,12-slot
 Size: A3 Date: 2022-08-25 Rev: v1.4
 KiCad E.D.A. eeschema (6.0.7) Id: 1/1